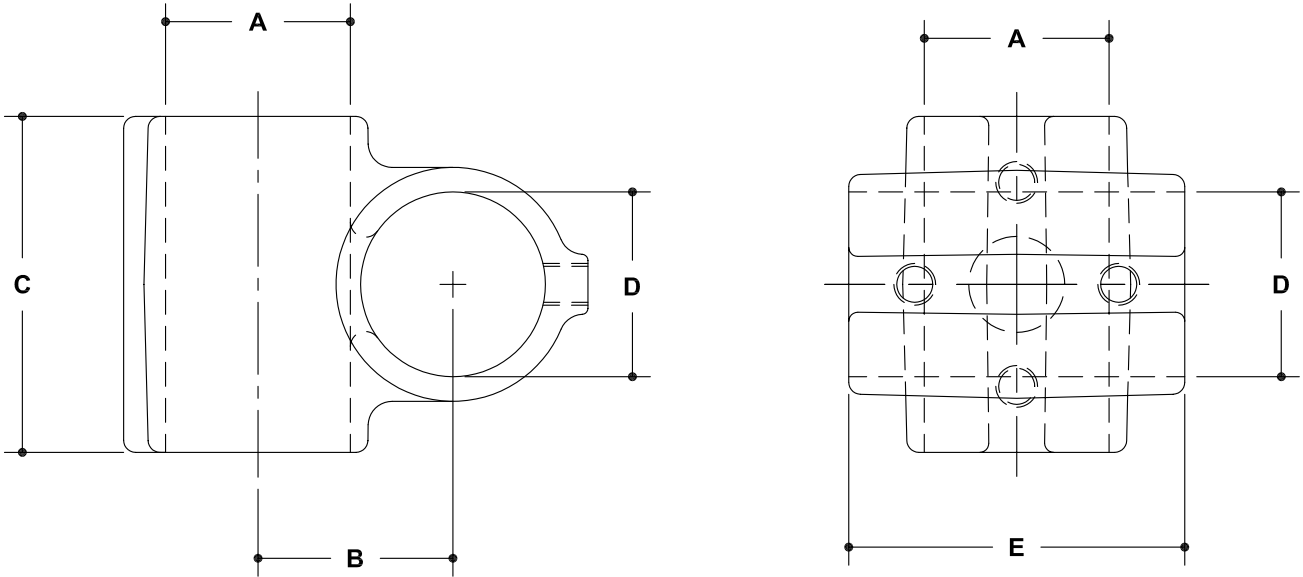


NOTE: DIMENSIONS LOCATED IN BOXES ARE COMMON
SETBACK DIMENSIONS FOR EACH FITTING



#10-89 Offset Cross

SCALE: HALF

| ENGLISH UNITS (Inches) | | | | | | | |
|------------------------|------|------|------|------|------|---|---|
| PIPE SIZE | A | B | C | D | E | F | G |
| 2" | 2.40 | 2.27 | 4.00 | | | | |
| 1-1/2" | | | | 1.93 | 3.50 | | |

| METRIC UNITS (mm) | | | | | | | |
|-------------------|----|----|-----|----|----|---|---|
| PIPE SIZE | A | B | C | D | E | F | G |
| 2" | 61 | 58 | 102 | | | | |
| 1-1/2" | | | | 49 | 89 | | |