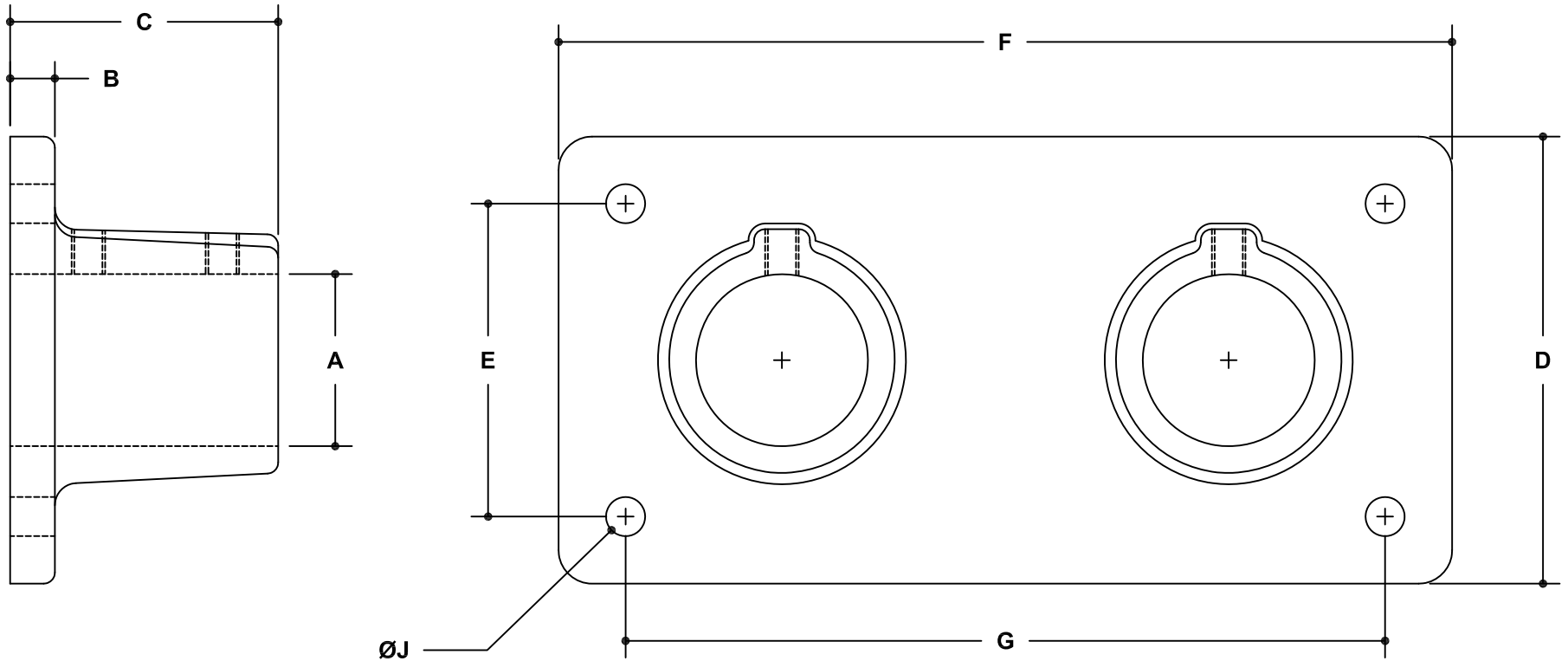


NOTE: DIMENSIONS LOCATED IN BOXES ARE COMMON  
SETBACK DIMENSIONS FOR EACH FITTING



## #45D Dual Barrel Flange

SCALE: HALF

ENGLISH UNITS (Inches)									
PIPE SIZE	A	B	C	D	E	F	G	H	J
1½"	1.93	0.50	3.00	5.00	3.50	10.00	8.50		0.44

METRIC UNITS (mm)									
PIPE SIZE	A	B	C	D	E	F	G	H	J
1½"	49	13	76	127	89	254	216		12